

**WILD
LIFE**

schleich

42410



10160086



42410



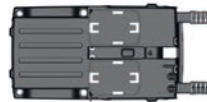
10130665 x 1

=



10130322 x 1

+



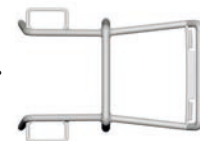
10130334 x 1

+



10130324 x 1

+



10130348 x 1



10130332 x 1

+



10127829 x 1

+



10130344 x 1

+



10130340 x 1

+



10130338 x 1



10130342 x 1

+



10130331 x 1

+



10130357 x 2

+



10130355 x 2



10127848 x 1

+



10130359 x 1

+



10130336 x 2

+



10130326 x 1

+



10130329 x 1



10130372 x 1



10130350 x 5



10130351 x 5



10130349 x 1



10130666 x 3



10130352 x 1



10130353 x 1



10130362 x 1



10130364 x 1



10130373 x 1



10127996 x 1



10127947 x 1



10130369 x 2



10127995 x 1



10160128 x 1



10128045 x 1



10127708 x 1



10128051 x 1



10127707 x 1



10128580 x 1



10128520 x 1

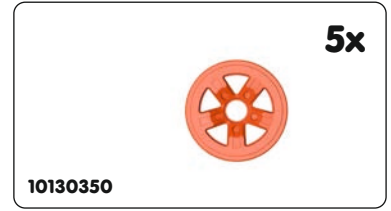


10130765 x 1

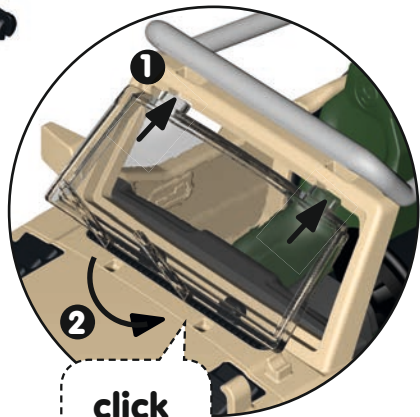
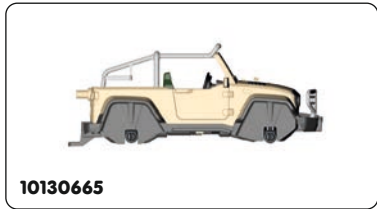


10131728 x 1

1



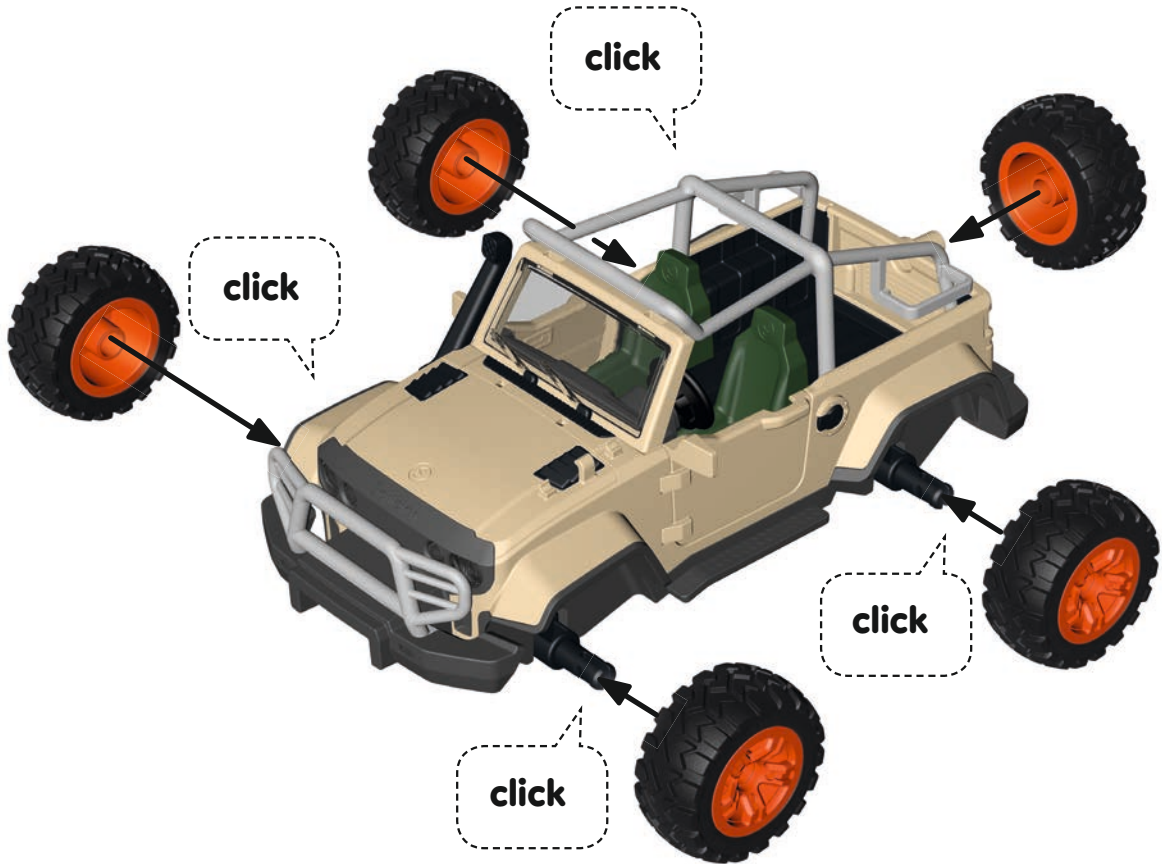
2



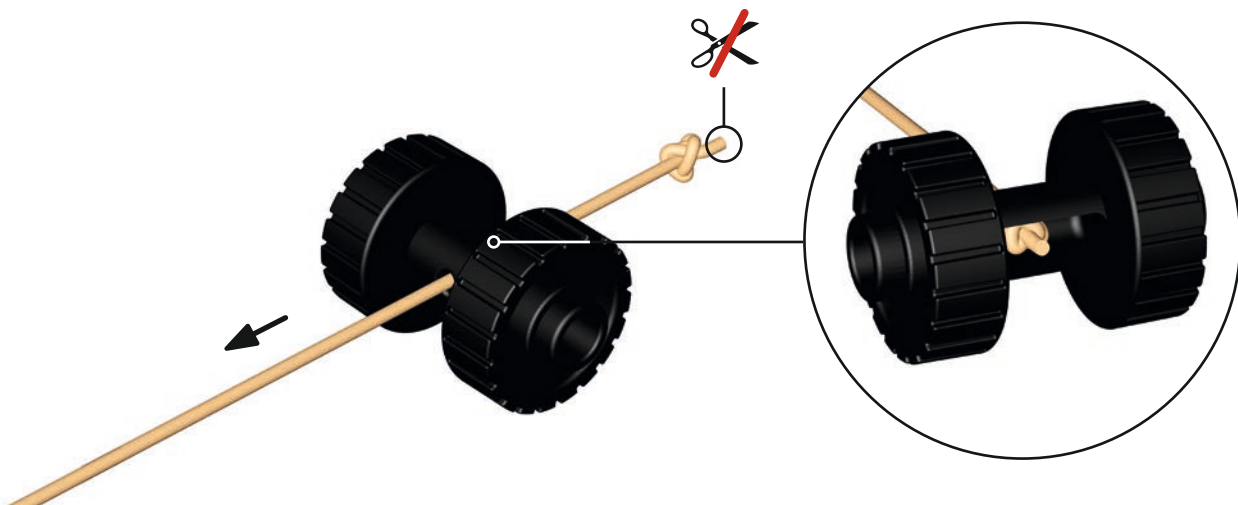
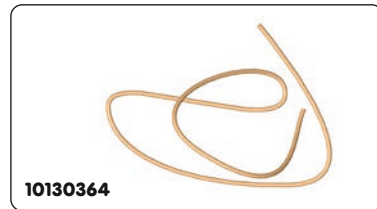
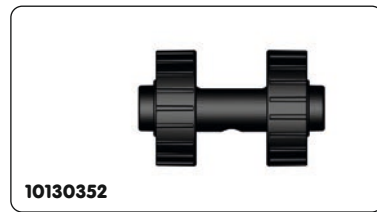
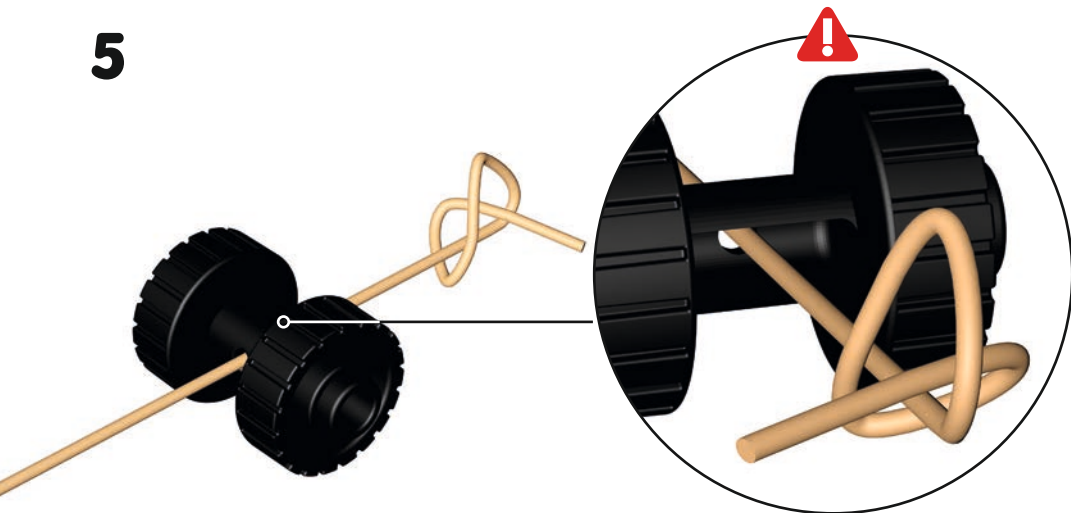
3



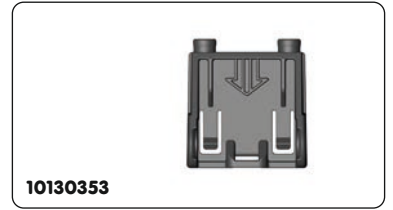
4



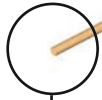
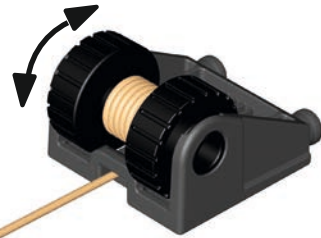
5



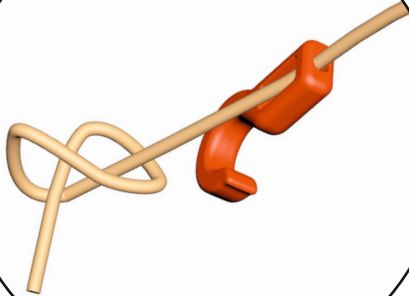
6



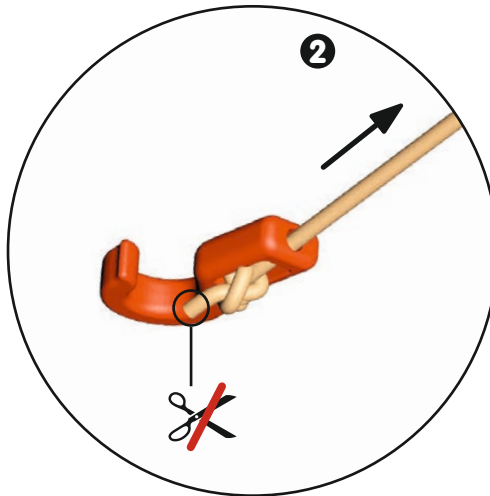
7



1



2

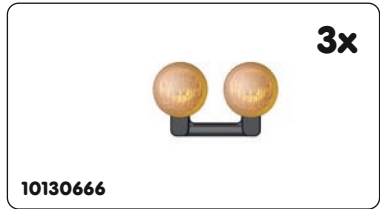


8



click

9



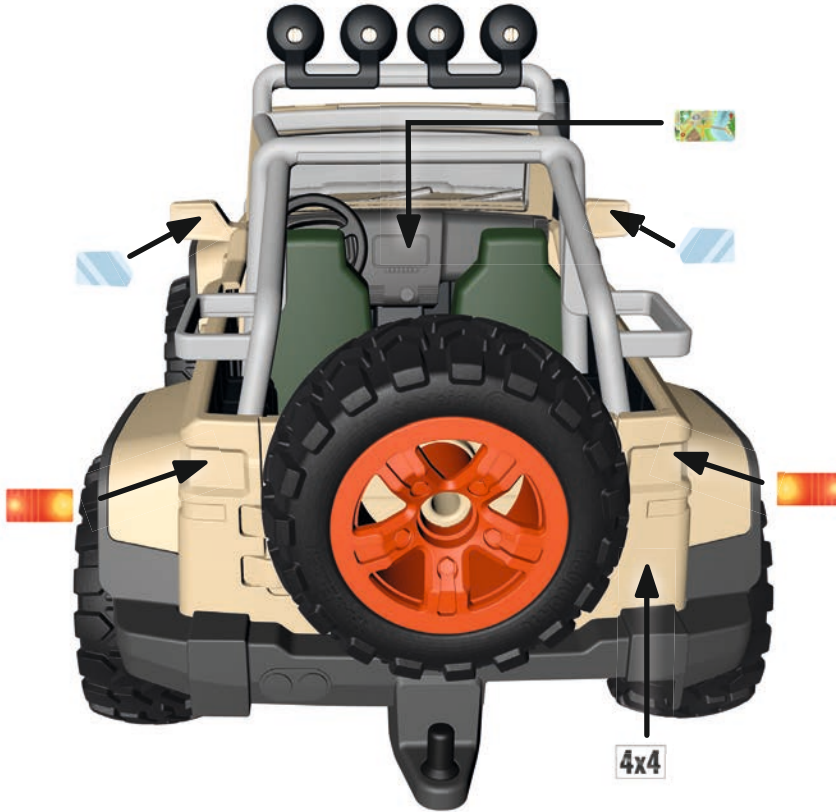
10



10160128

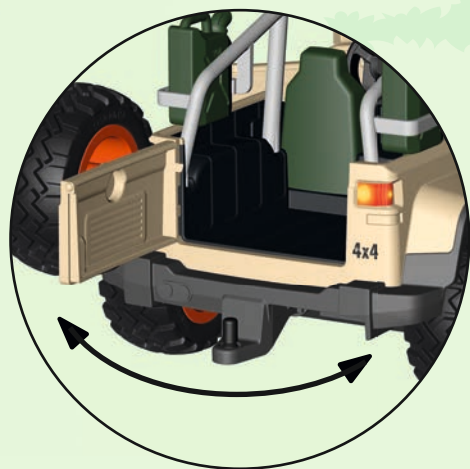


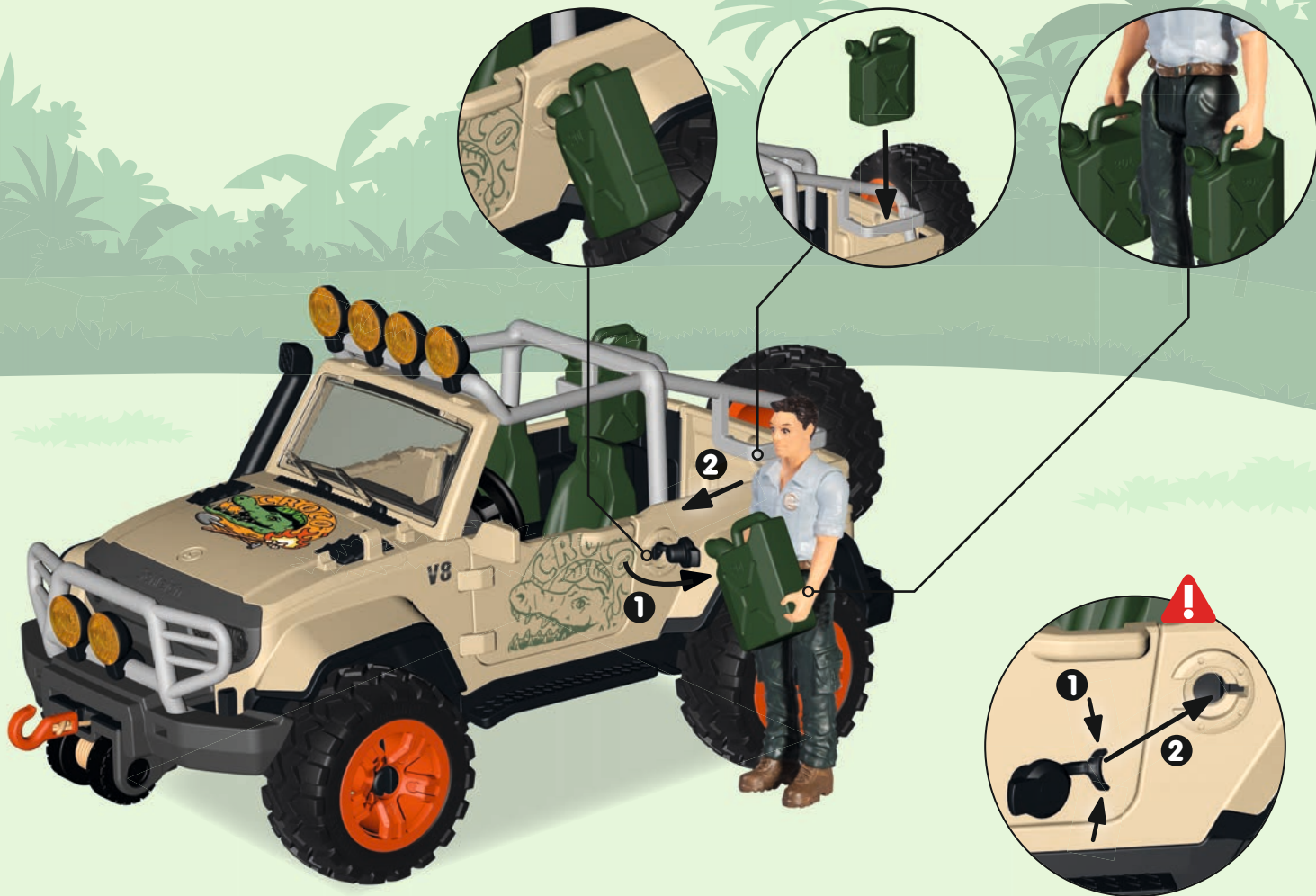
11

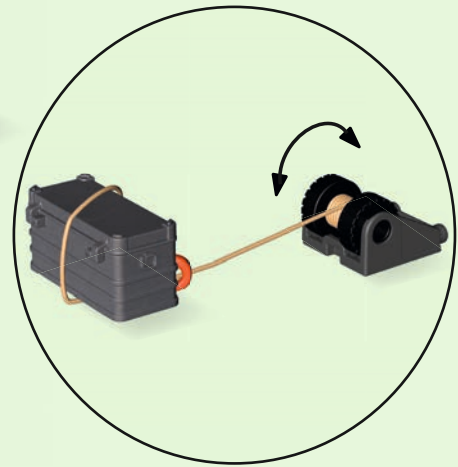


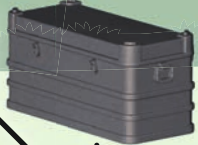
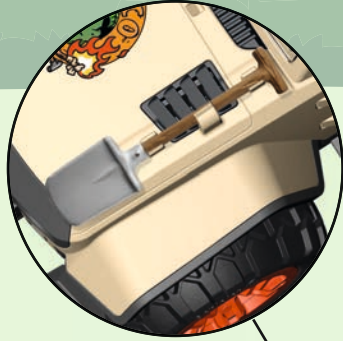
10160128

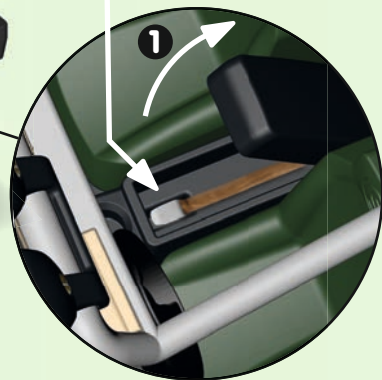
A parts list for step 10160128. It includes a '4x4' logo, a 'schleich' logo, and several small icons representing different parts: two blue translucent pieces, two orange translucent pieces, a green and blue patterned piece, a black piece, and two white pieces with green and blue patterns. The icons are arranged in a grid.

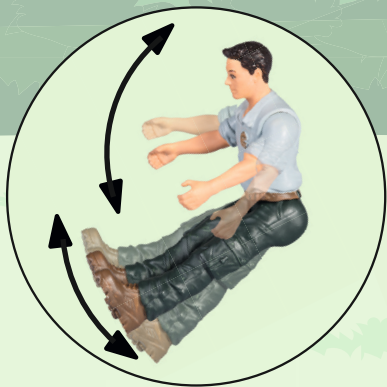


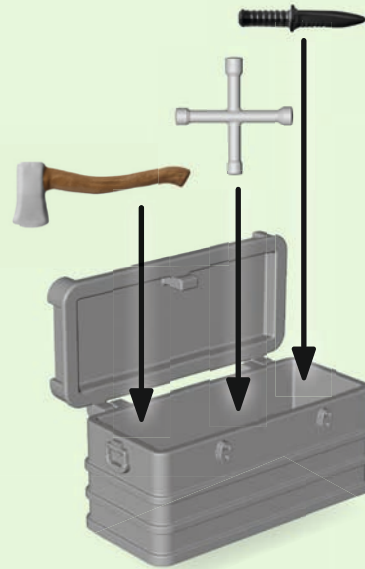
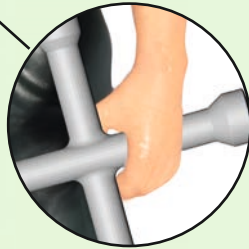


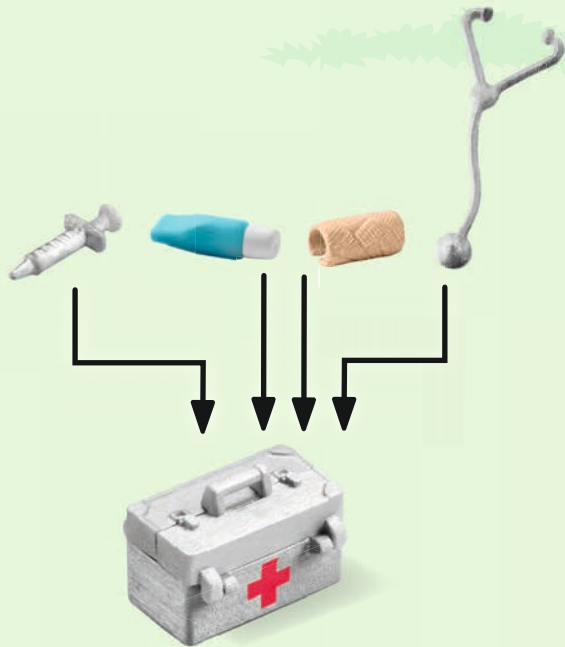


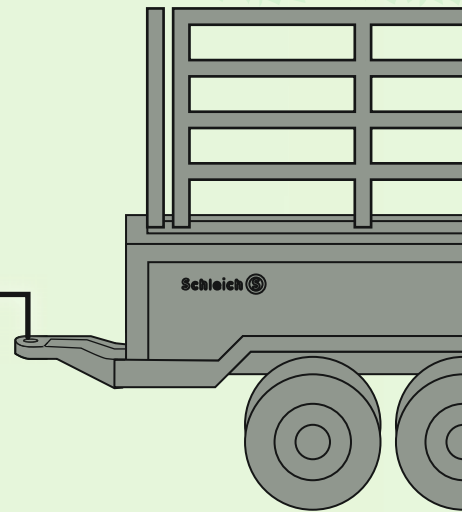














schleich



www.schleich-s.com/stories



Dan, 6



Paxton, 10



Von, 7



   YouTube

www.schleich-s.com

Photos by Mitchell Wu